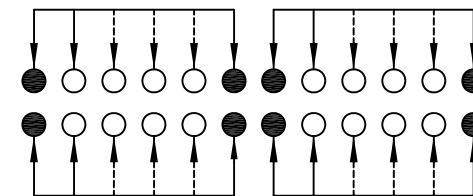
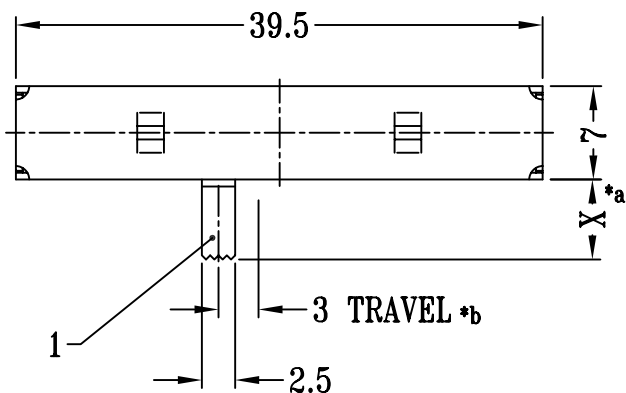
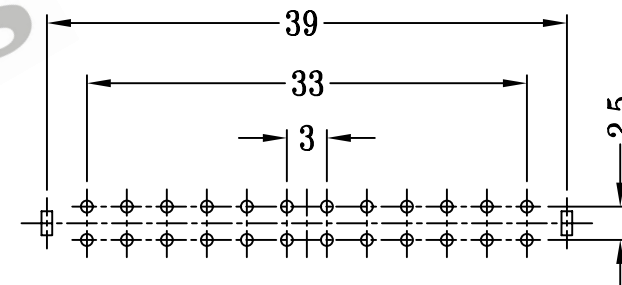
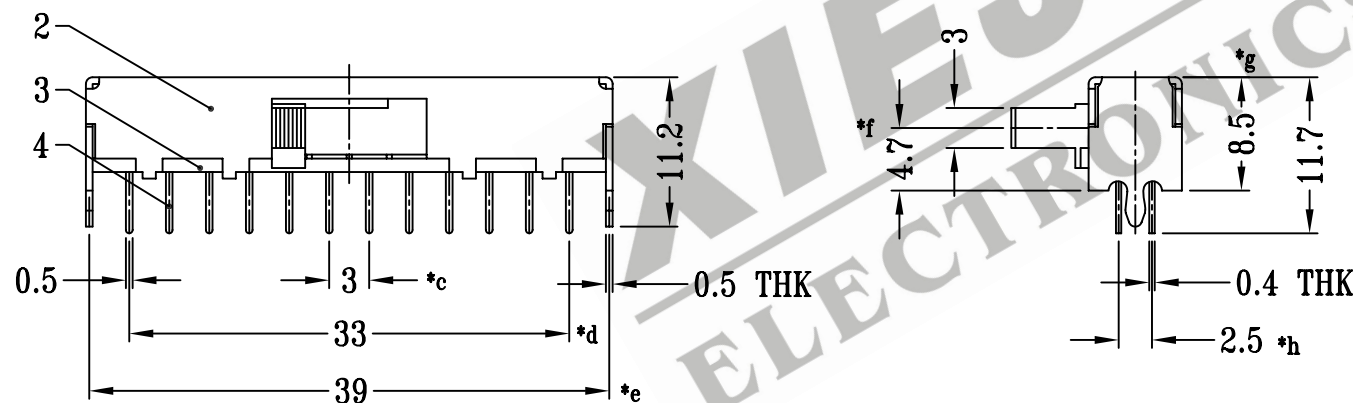


CAD FILE:



**SCHMATIC (NON-SHORTING)**



**P.C.B LAYOUT**

注:带"\*"表示关键尺寸(8个)

NO.	PARTS	MATERIALS	Q'TY	FINISH	TOLERANCE UNLESS SPECIFIED	SHENZHEN XIEJIA ELECTRONICS CO.,LTD.				
8					WITHIN: 1.5±0.1mm OVER : 1.5±0.2mm	ISSUE	DATE	DESCRIPTIONS OF REVISION		APPD.
7										
6	SPRING PLATE	STAINLESS STEEL	1	NATURAL	TITLE : HORIZONTAL SLIDE SWITCH MODEL: SK-44F01 ALL MATERIALS MUST BE COMPLIANT TO ROHS	UNIT : mm	SCALE: 5:3	DRWG NO.: XJ-DR-SK44F01-00		
5	CONTACT CLIP	PBS	4	Ag CLAD				DWN.	ZHOUYU	2005-9-8
4	TERMINAL	BRASS STRIP	24	Ag PLATED OVER Ni PLATED				CHK'D	FANGYING	2005-9-8
3	BASE	PHENOLIC RESIN	1	NATURAL				APPD.	KANGXINAN	2005-9-8
2	FRAME	STEEL STRIP	1	Sn PLATED						
1	KNOB	PC	1	BLACK						